



Everbrite Electronics, Inc.

EVERTRON® SP226H/V Series

CE Compliant Neon HV Converter
230VAC Models 800-0180, 800-0181
800-0132, 800-0086

Solid State, High Voltage Power Supply For Cold-Cathode (Gas Discharge) Lighting Applications

FEATURES:

- Conforms to Current CE Requirements
- Secondary Earth Fault Interruption (SGFI)
- Output Over Voltage Interruption
- Anti-Bubbling / Anti-Mercury Migration Circuitry
- Open / Short Circuit Protected
- Pull String Or Inline Cord ON/OFF Switch
- IP40 Environmental Rating
- 800-0180 / -0132 have IEC-320 Power Connector
800-0181 / -0086 have Line Cord with Schuko Plug
- Fully Enclosed, Light Weight Low Profile
- Suitable for Neon or Argon/Mercury Applications
- 800-0132 / -0086 Models Include Dimming
- Integral Sleeve GTO Output Leads

SPECIFICATIONS:

INPUT

Voltage: 220-240 VAC Nominal
(200-265 VAC operating range)

Frequency: 50/60Hz

Current: 0.2 Amps rms maximum

Power: 45 Watts
(recommended operating max.
at nominal line voltage)

WEIGHT

0,32 kg. (0.7 Lbs.)

OUTPUT

Rated Output: 3.2kV-E-3.2kV rms
20 mA rms

Short Circuit Current 24mA rms
4-20 mA rms Dimmer

Equivalent Sign Volts: 6.4kV maximum

Frequency 30-40 kHz

TEMPERATURE

Ambient operating: 50°C (122°F) Maximum (in open air)

Operation Under Fault Conditions:

If a situation occurs that results in either a Secondary Earth Fault or an Over Voltage Protection shutdown, the high voltage output of this device will be deactivated. Once shutdown, the output will not restart unless the power switch is turned OFF, and after five seconds turned back ON again. Alternatively, the fault shutdown may be cleared by removing the power cord from the mains outlet, waiting approximately 30 seconds, and then plugging it back in.

TABLE 1

LUMINOUS TUBE LENGTH (METERS)							
Tube Size Diameter [mm]	15	13	12	11	10	9	8
Fill Pressure mm of Hg at 100°C	9	10	11	12	13	15	16
Tube Length - Neon	8,5	7,3	6,4	5,8	4,3	3,0	2,7
Tube Length - Mercury/Argon	13,1	10,3	8,8	7,6	6,4	4,6	3,6
<p>TUBE LENGTH ADJUSTMENTS:</p> <p>Deduct 0.4m for each electrode pair beyond the first pair.</p> <p>Deduct 1.5m for use with sheet metal or metalized sign frame.</p> <p>Deduct 1.5m for each 11°C above ambient temperature of 24°C.</p>							

INSTALLATION:

Mounting (see Figure 1):

- For Indoor Use Only
- Use (2), #8-32 machine screws, at least 8mm longer than the thickness of the mounting surface, and (2) #8 KEPS nuts, or (2) #8 hex nuts with internal tooth lock washers.
- No Earth grounding means is required if the sign has no exposed metallic surfaces.
- If mounting to a metal surface other than a bar frame, a minimum 13mm thick non-metallic spacer must be used.
- For proper grounding of a metallic sign frame, use of a #8 internal tooth lock washer is required between the #8 hex nut and bar frame on the mounting foot labeled with the Earth Ground symbol.

- CAUTION -

This device should not be mounted in spaces or near objects that may exceed an ambient temperature of 40°C (104°F).

Wiring:

- The molded plug on the power cord must be connected to a dedicated, grounded mains circuit rated for at least 13A.
- The tube load for each power supply shall not exceed the footage limits specified in Table 1.
- The power supply output leads (HT) are to be connected as shown in Figure 2.
- The GTO leads must not be extended past their nominal supplied length or power supply damage may occur.

- CAUTION -

When two or more power supplies are required on a single neon sign, the output leads from one MUST NOT be wired in series or in parallel with the leads from the other(s).

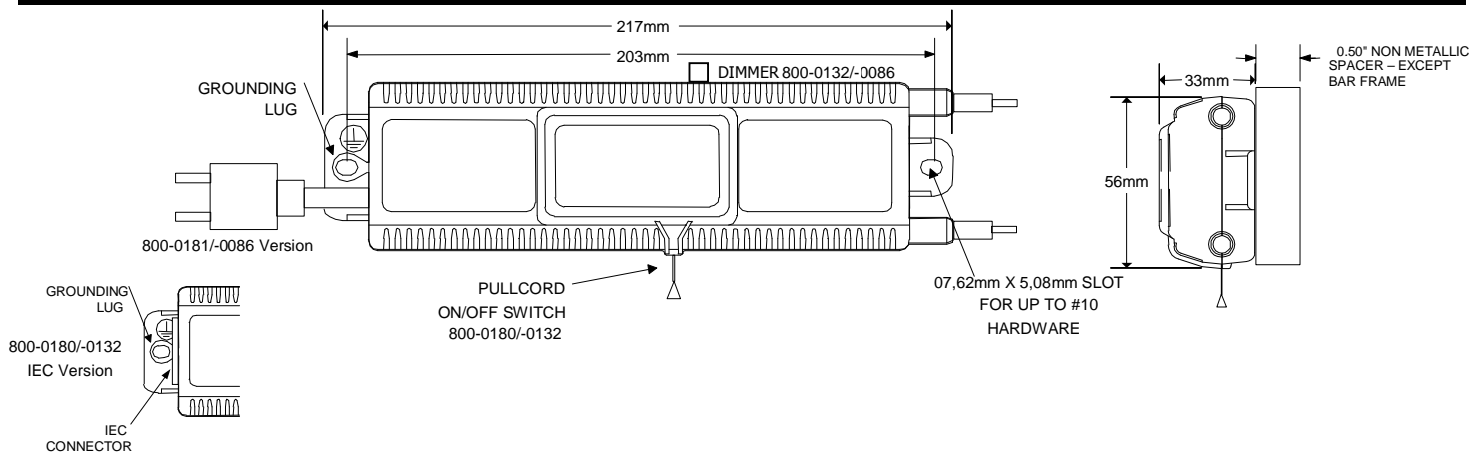


FIGURE 1

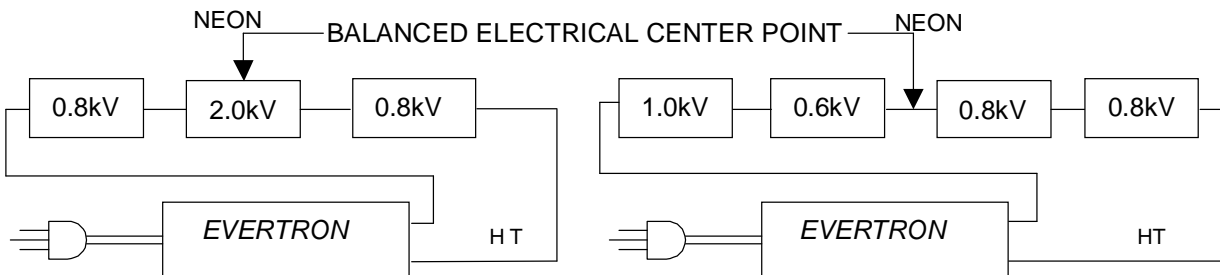


FIGURE 2

WARRANTY:

Everbrite Electronics, Inc. warrants to the original purchaser the product described herein to be free from defects in material and workmanship for a period of one year from date of manufacture and will replace or repair, at the discretion of the manufacturer, products found to be defective. The liability of the company is limited to the replacement of the defective product.

No other warranty, whether expressed or implied, including any warranty of merchantability of fitness for a particular purpose, shall exist in connection with sale or use of such products.