



*Solid State, High Voltage Power Supply For Cold-Cathode (Gas Discharge) Lighting Applications*

**FEATURES:**

- UL and cUL Recognized
- For use with Evertron “AniMotion” systems
- Operates from Low Voltage, Class 2 source
- Open / Short Circuit will not damage unit
- Convenient Mounting Means
- Fully Enclosed; Tamper-Proof Construction
- Suitable for Residential Applications
- Model 800-0159 has longer 24” GTO leads

**SPECIFICATIONS:**

INPUT

Voltage: 24-28 VAC, 20kHz, Class 2,  
 Current: 0.5 Amps rms maximum  
 Power: 7 Watts (14VA)  
 (recommended operating max.  
 at nominal input voltage)

WEIGHT

0.2 Lbs. (0,091 kg.)

OUTPUT

Rated Output: 1.3kV rms (\*870Vrms cont.)  
 Short Circuit Current 30 mA rms  
 18 mA typical  
 Equivalent Sign Volts: 3.2kV maximum  
 Frequency 20 kHz

TEMPERATURE

Ambient operating: 104°F (40°C) Maximum (in open air)

\*Note: All tube lengths must be reduced to 67% value when operated continuously, due to current internal UL mandated limiting components. Operation at 67% or less ON time will allow for tube lengths indicated in the chart.

**TABLE 1**

<b>LUMINOUS TUBE LENGTH (FEET) *</b>							
Tube Size Diameter [mm]	15	13	12	11	10	9	8
Fill Pressure mm of Hg at 100°C	9	10	11	12	13	15	16
Tube Length - Neon	7	5	4	3	3	2	1
Tube Length - Mercury/Argon	9	6	5	4	3	3	2
TUBE LENGTH ADJUSTMENTS: Deduct 1.0 foot for each electrode pair beyond the first pair. Deduct 2.0 feet for use with sheet metal or metallized sign frame. Deduct 2.0 feet for each 20°F above ambient temperature of 75°F.							

# AUX Series Model 800-0065, 800-0159

## INSTALLATION:

### Mounting (see Figure 1):

- For Indoor Use Only
- Use one or two #8-32 machine screws with #8 KEPS nuts, or self-taping screws.
- No Earth grounding means is required if the sign has no exposed metallic surfaces.
- If mounting to a metal surface other than a bar frame, a minimum 0.5 in. thick non-metallic spacer must be used.
- For proper grounding of a metallic sign frame, use of a separate Earth bonding wire sized #18 or larger is required. A bonding stud or screw must be provided on the sign for attachment of a ground bond wire.

- CAUTION -

***This device should not be mounted in spaces or near objects that may exceed an ambient temperature of 40°C (104°F).***

### Wiring:

- The IDC power plug must be connected to the Class 2, 20-28VAC power output of an Evertron model 1212, MP12, or 2612, either directly, or through an Animation controller.
- The tube load for each power supply shall not exceed the footage limits specified in Table 1.
- The power supply output leads (GTO 10) are to be connected as shown in Figure 2.

- CAUTION -

***When two or more power supplies are required on a single neon sign, the output leads from one MUST NOT be wired in series or in parallel with the leads from the other(s).***

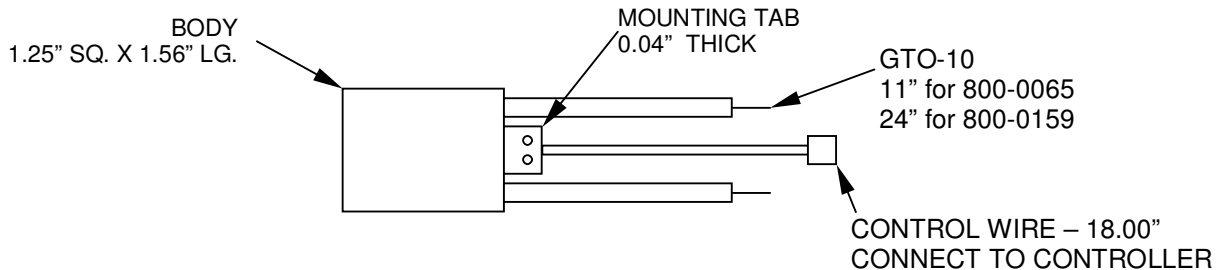


FIGURE 1

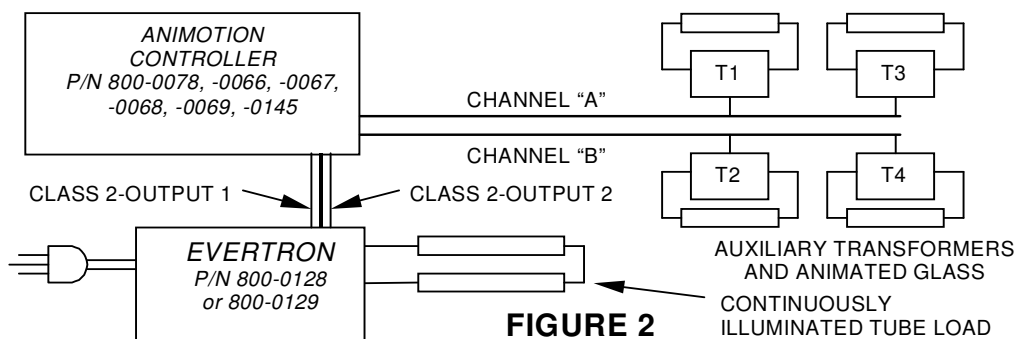


FIGURE 2

## WARRANTY:

Everbrite Electronics, Inc. warrants to the original purchaser the product described herein to be free from defects in material and workmanship for a period of three years from date of manufacture and will replace or repair, at the discretion of the manufacturer, products found to be defective. The liability of the company is limited to the replacement of the defective product.

**No other warranty, whether expressed or implied, including any warranty of merchantability of fitness for a particular purpose, shall exist in connection with sale or use of such products.**